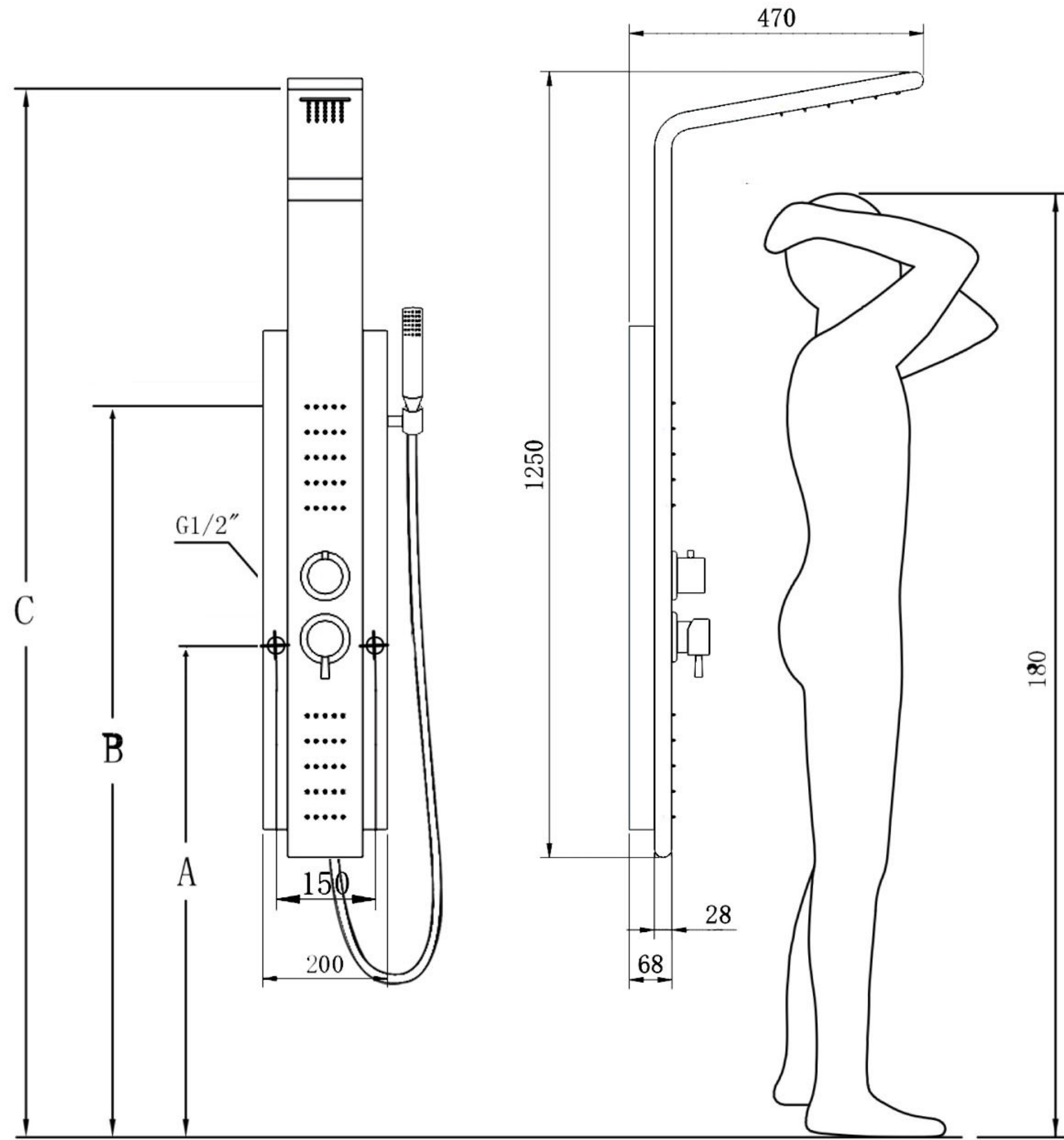


SHOWER PANEL 7877A

Installation Guide

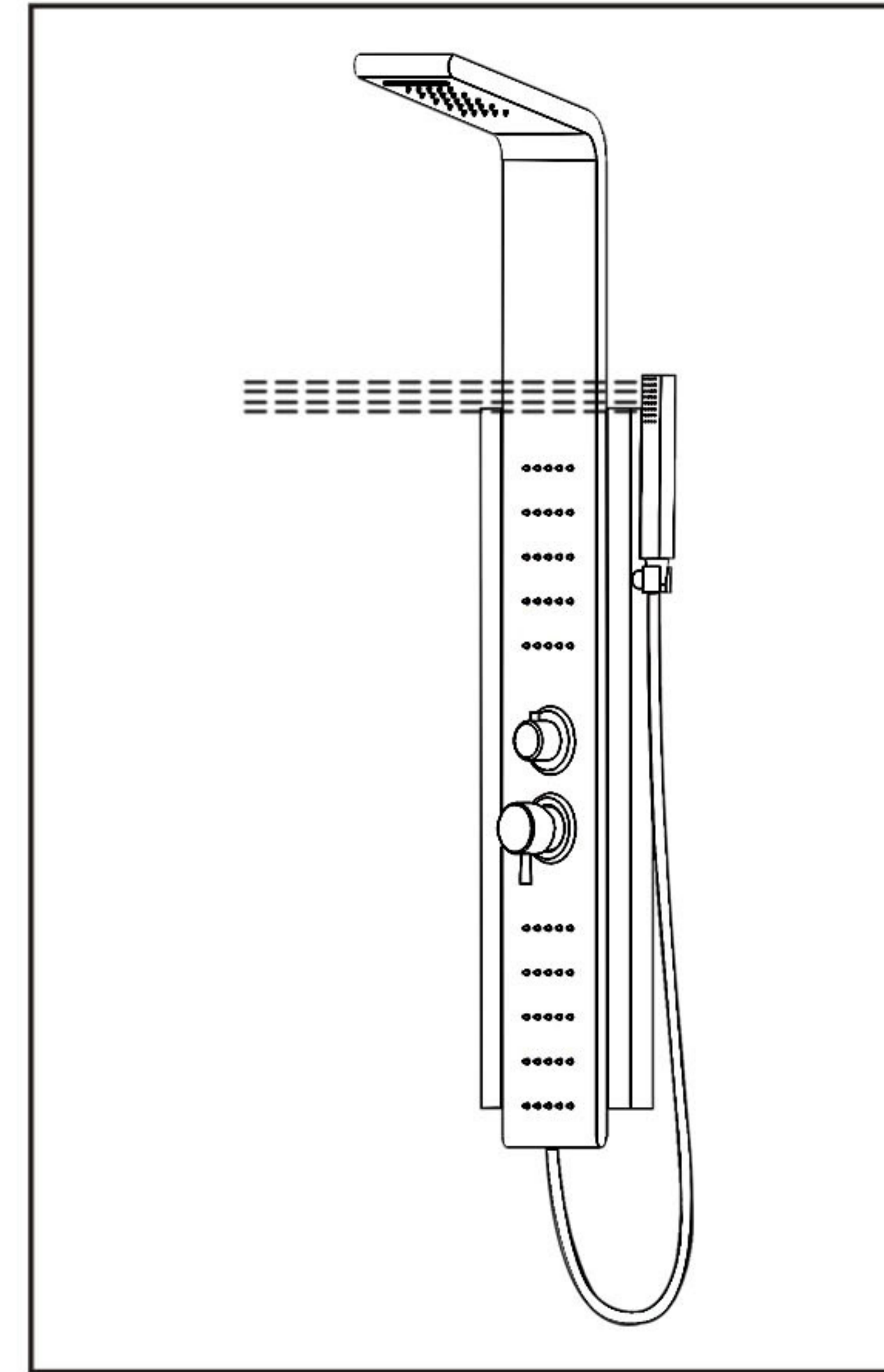


Technical Information

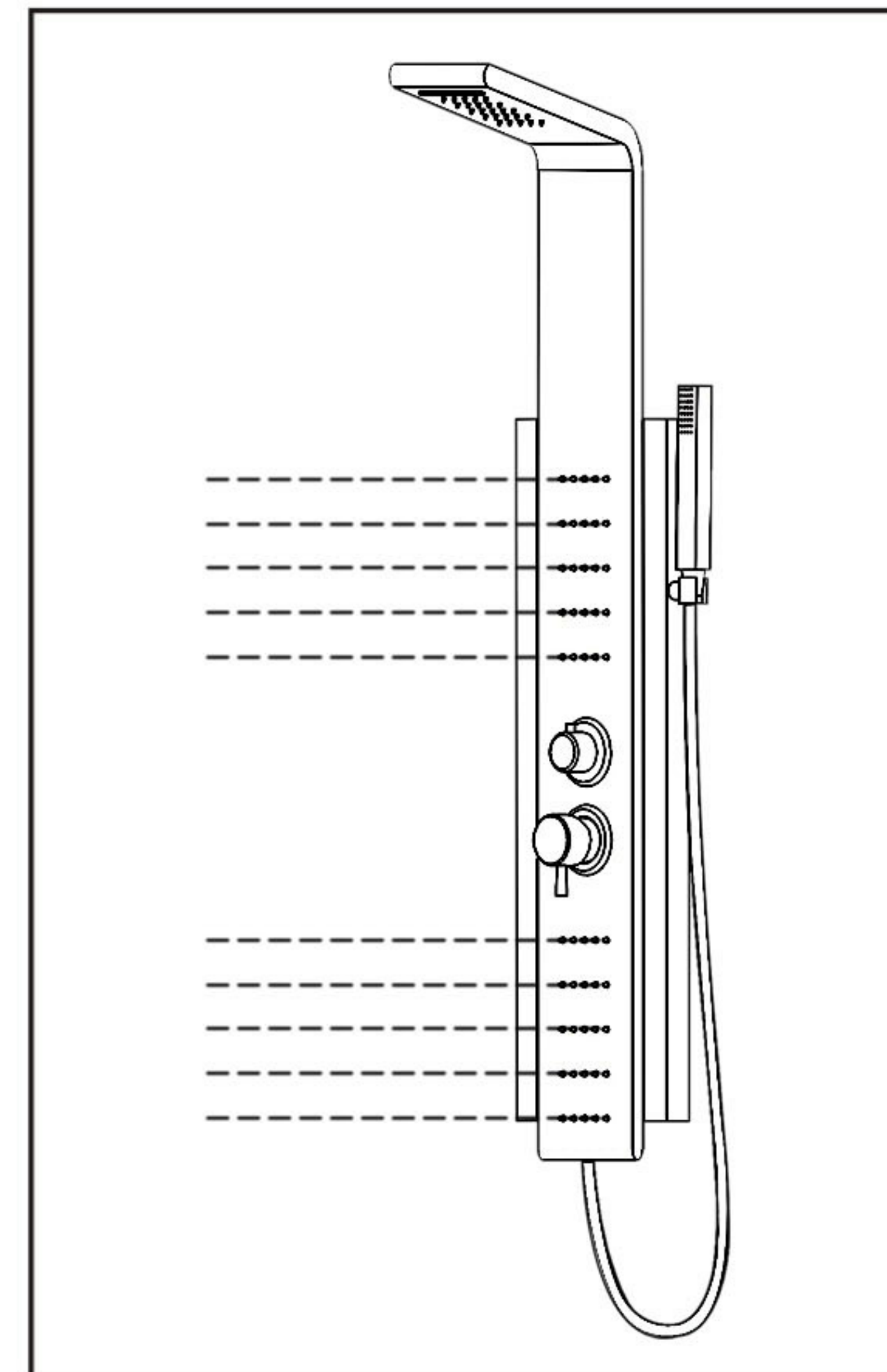
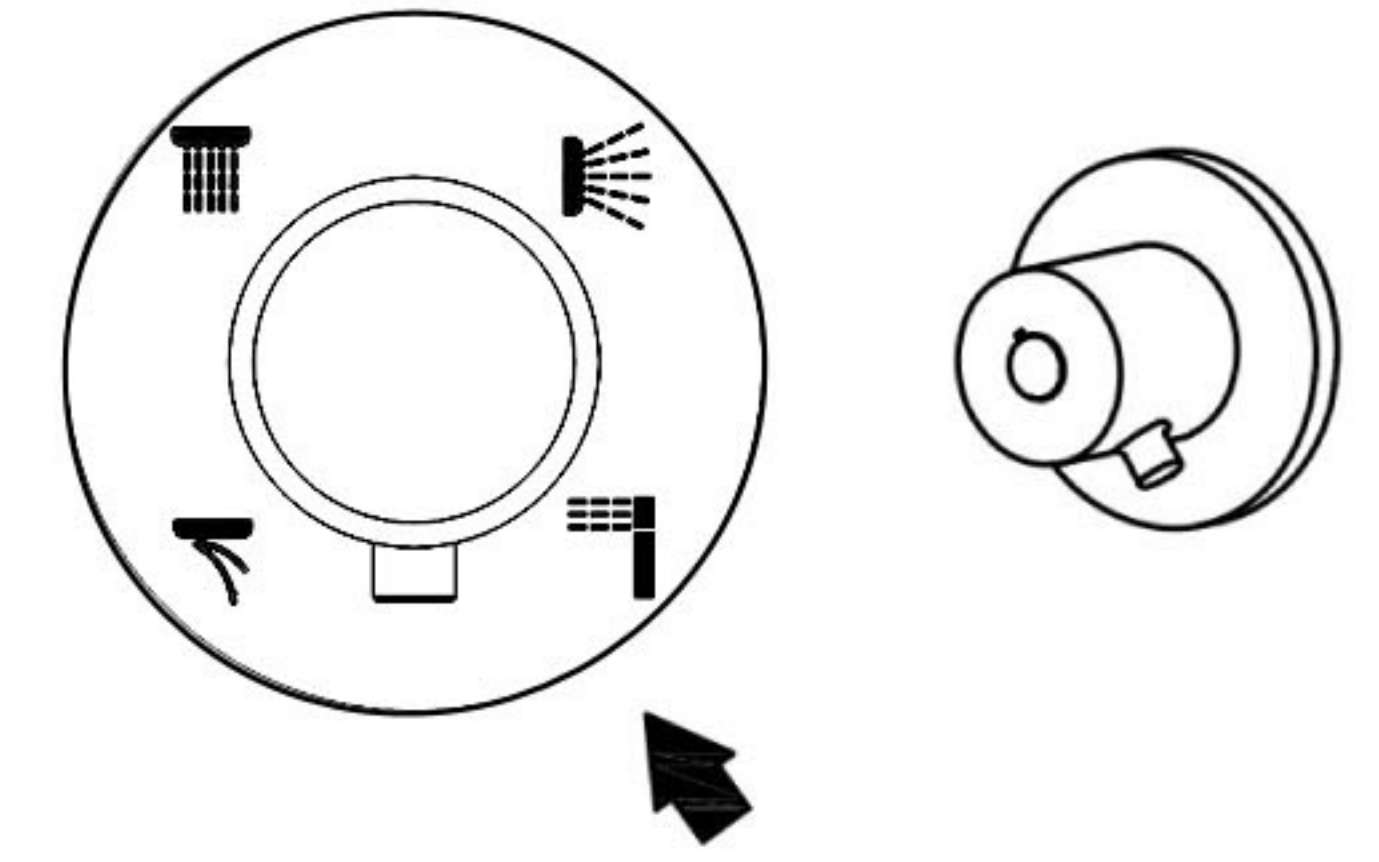
Recommended pressure: 3-5KG/CM2
 Minimum pressure: 1kgf/cm2=0.97 atmospheres=0.981 bar
 Maximum pressure: 6kgf/cm2=5.81 atmospheres=5.886 bar

Unit:cm

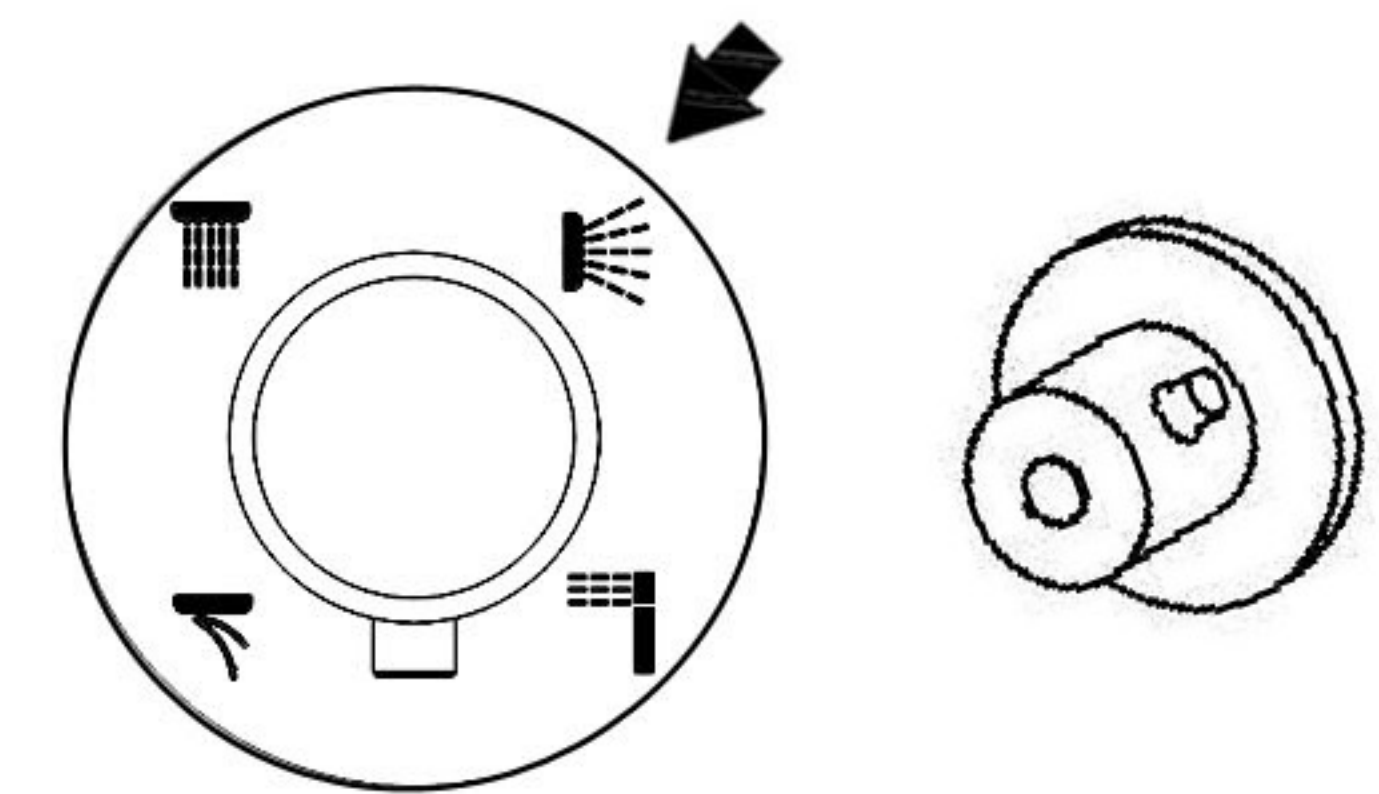
User Height	A	B	C
170	100	144	200
180	110	154	210
190	120	164	220



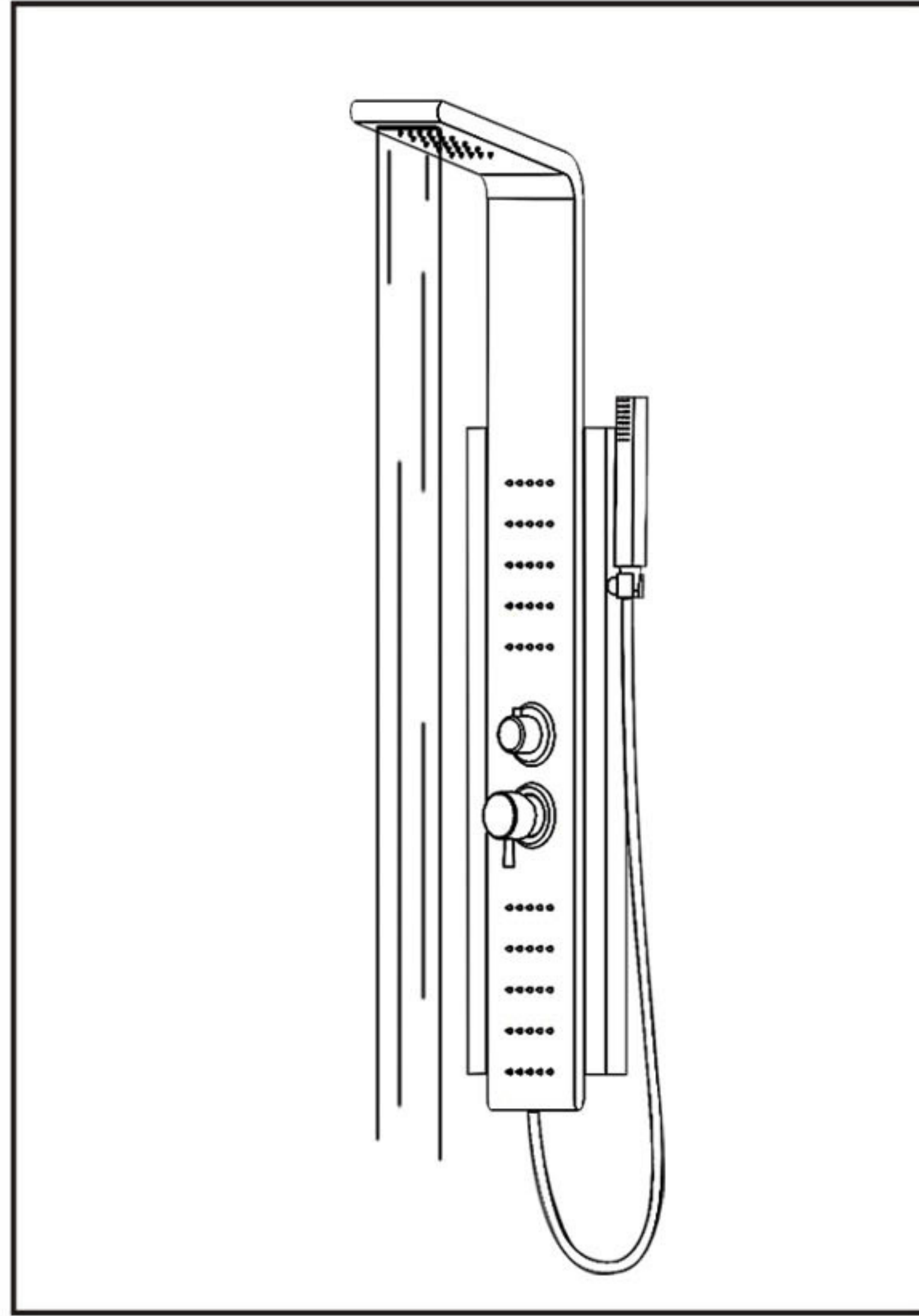
Hand shower



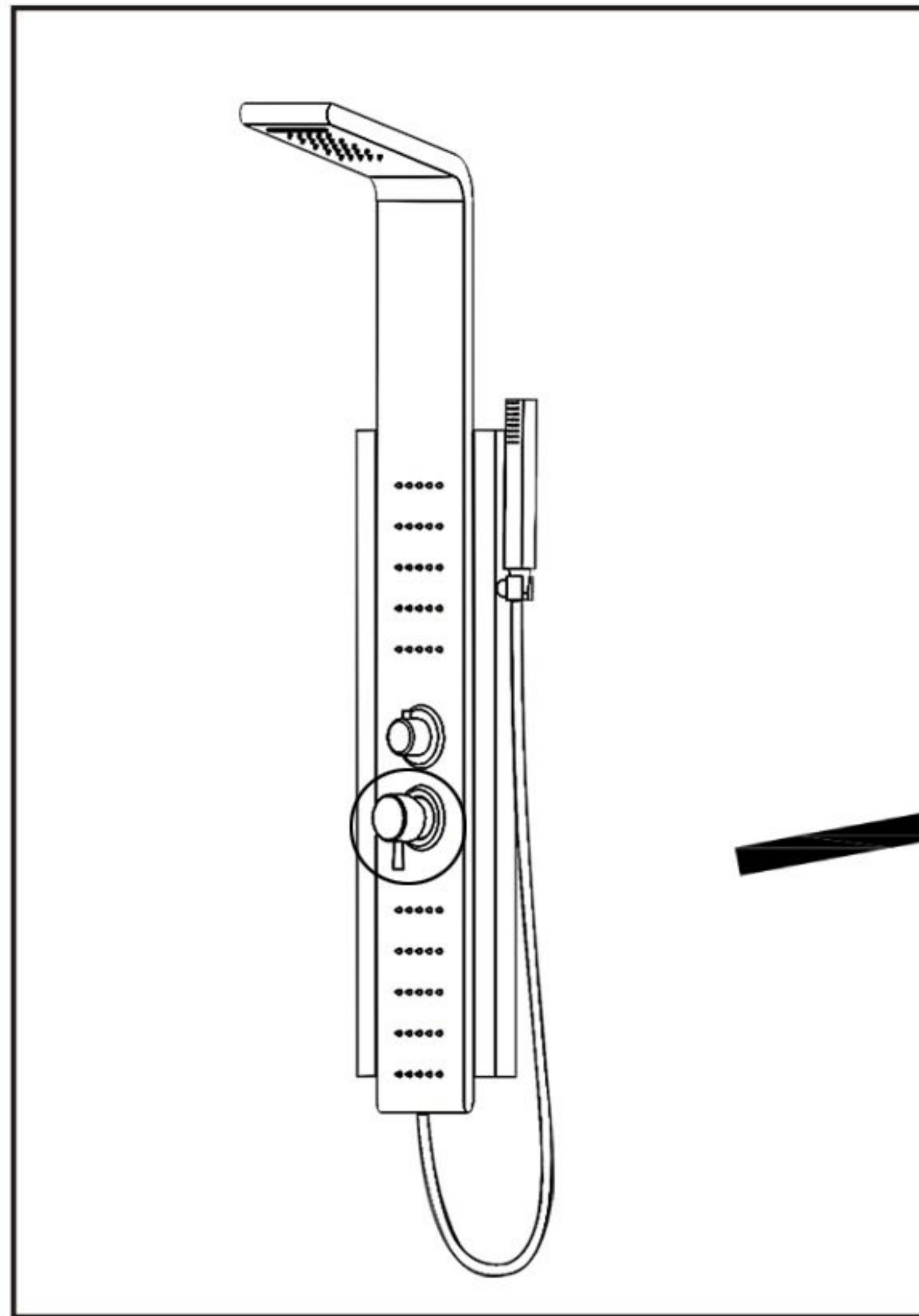
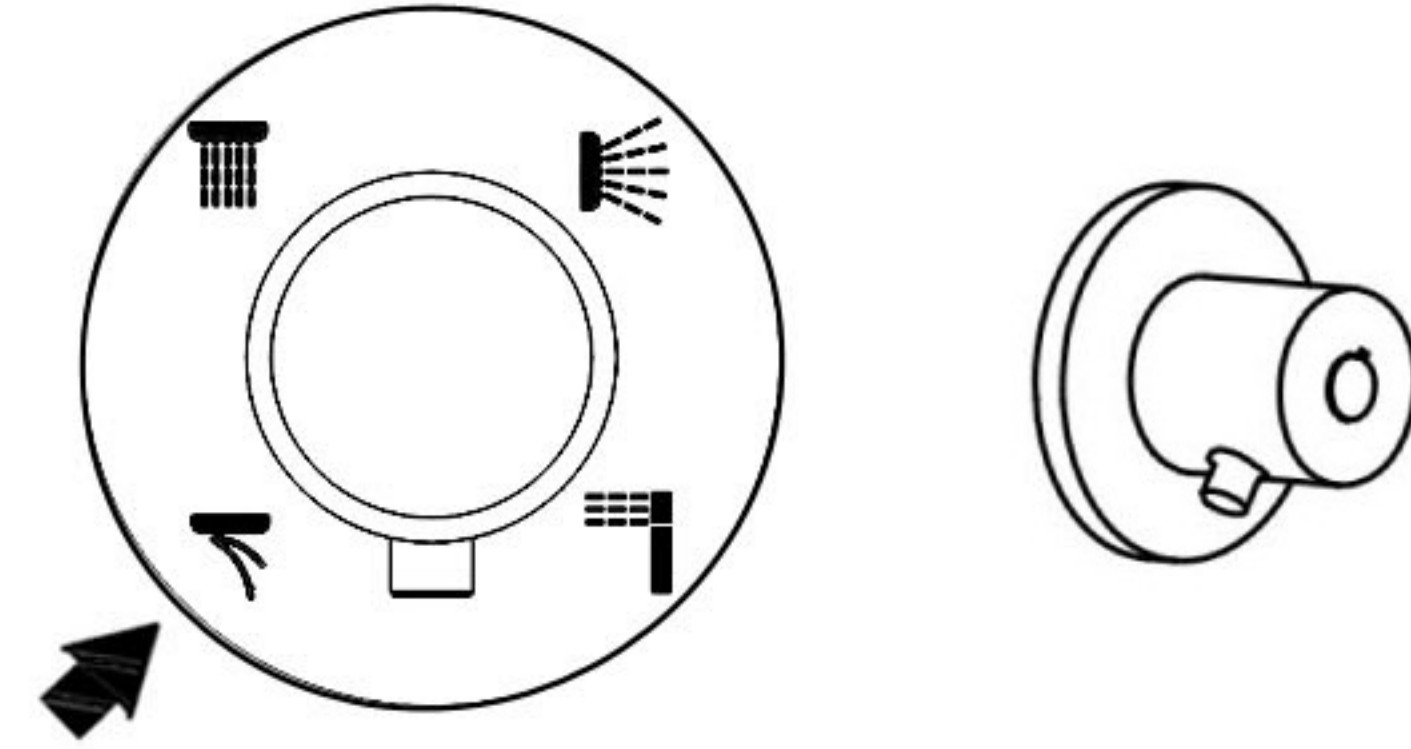
Body Jet



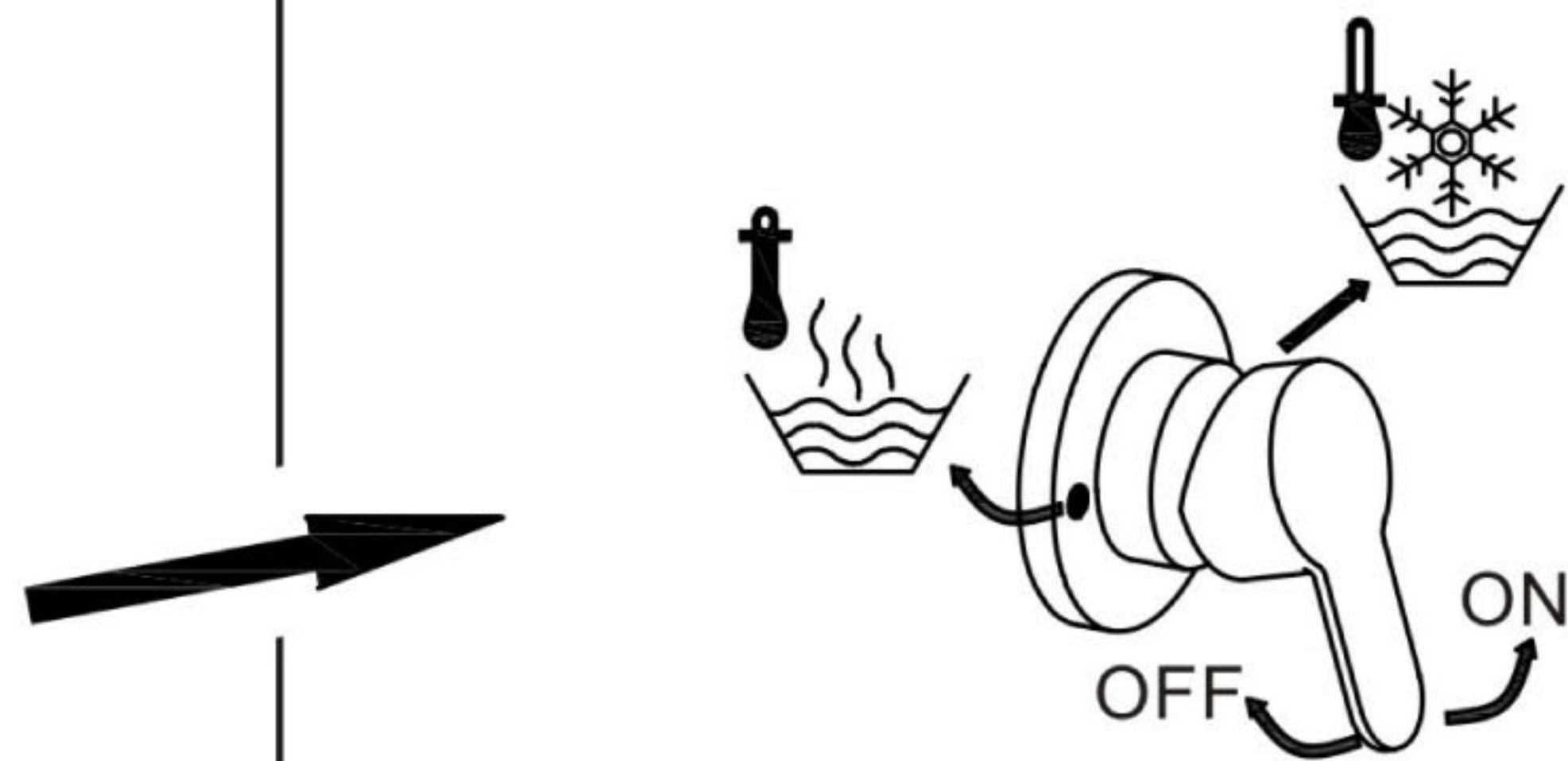
Instructions For Use



Waterfall

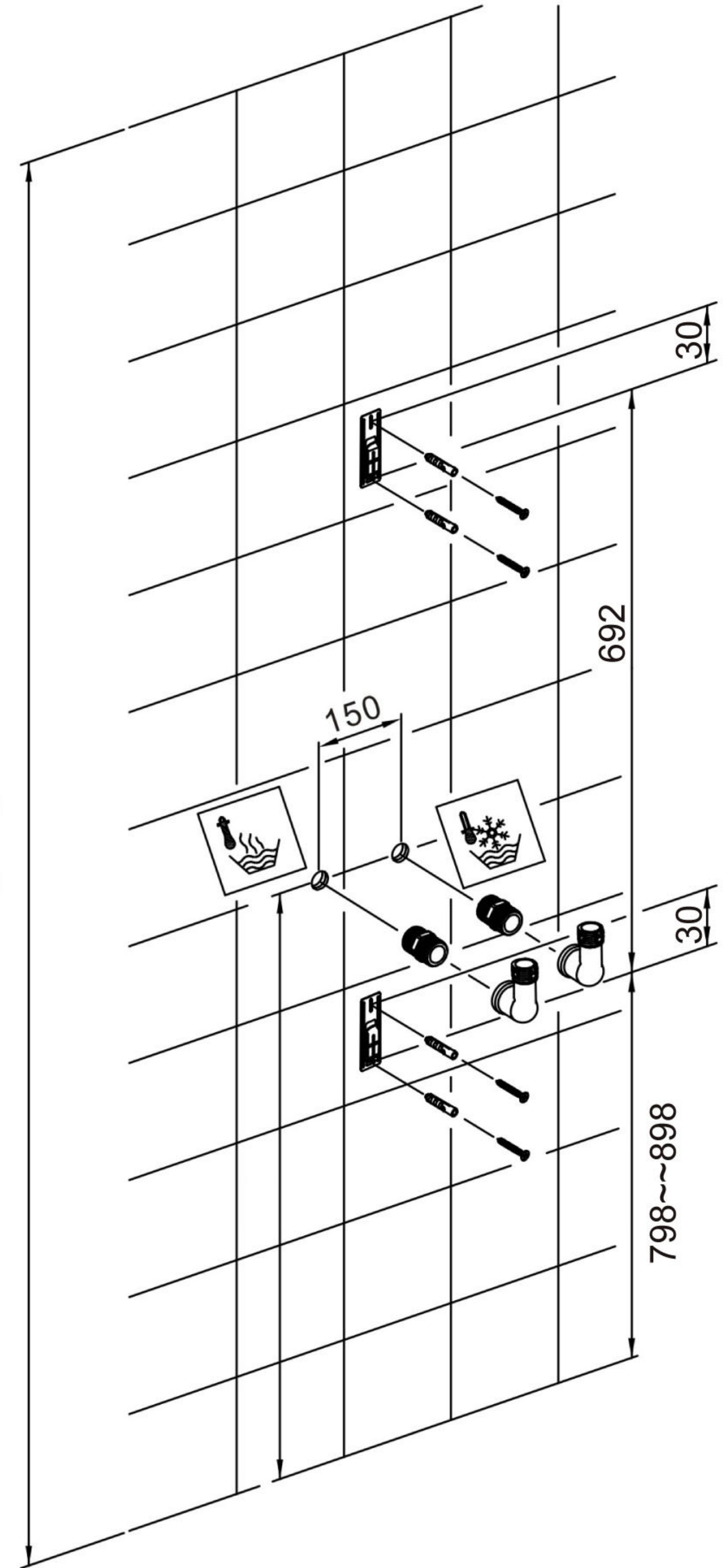


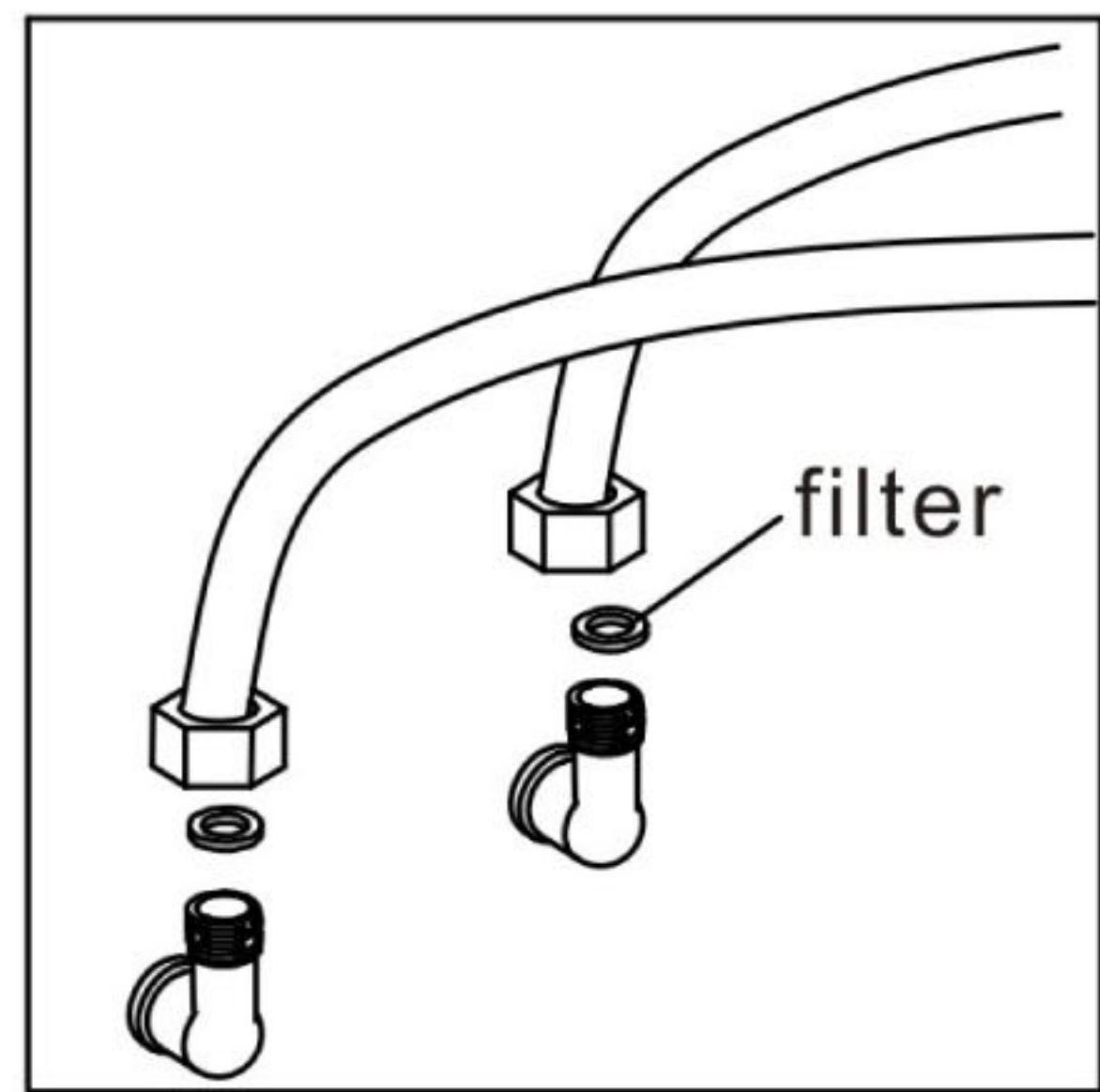
Use the mixer



Installation Instructions

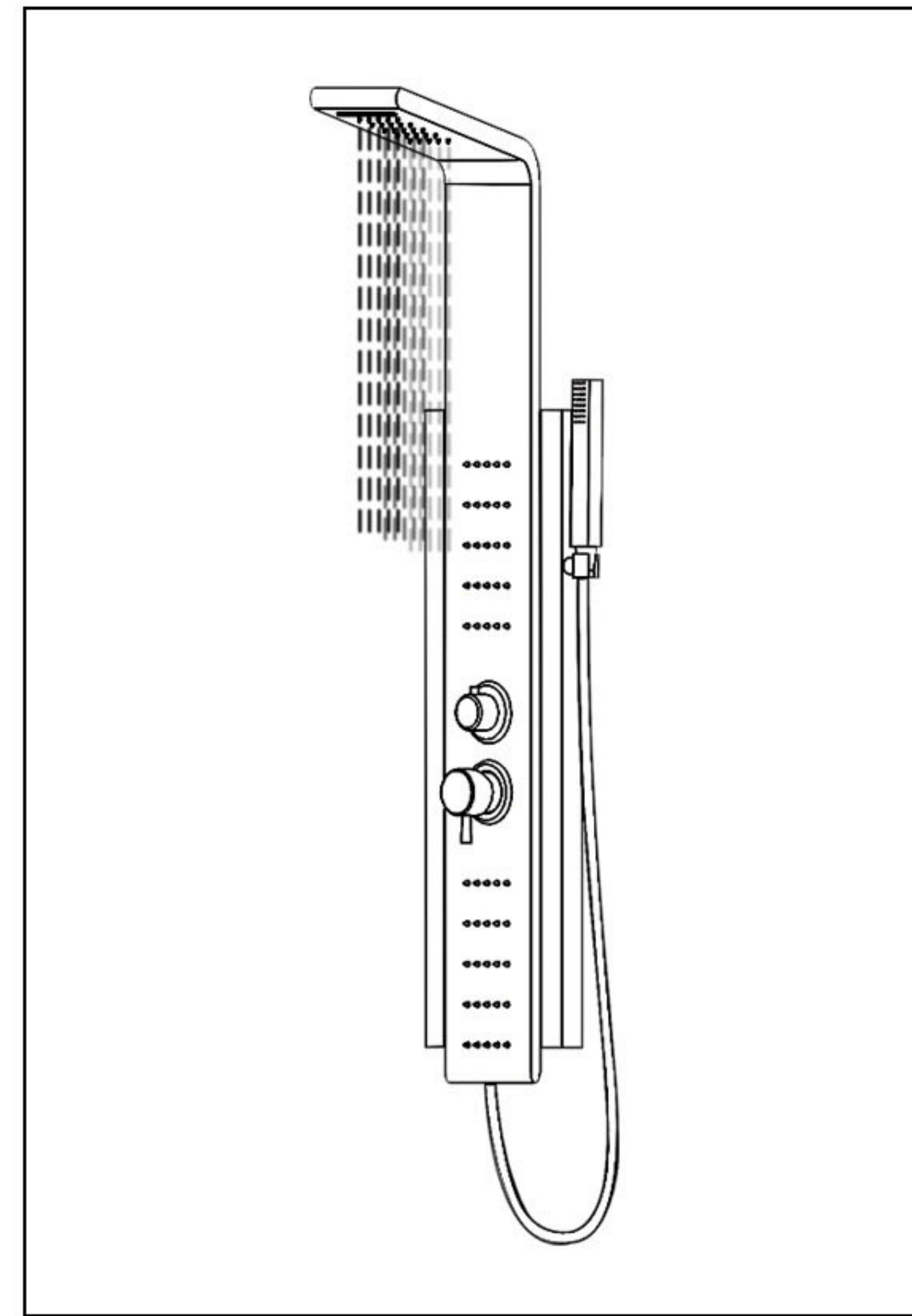
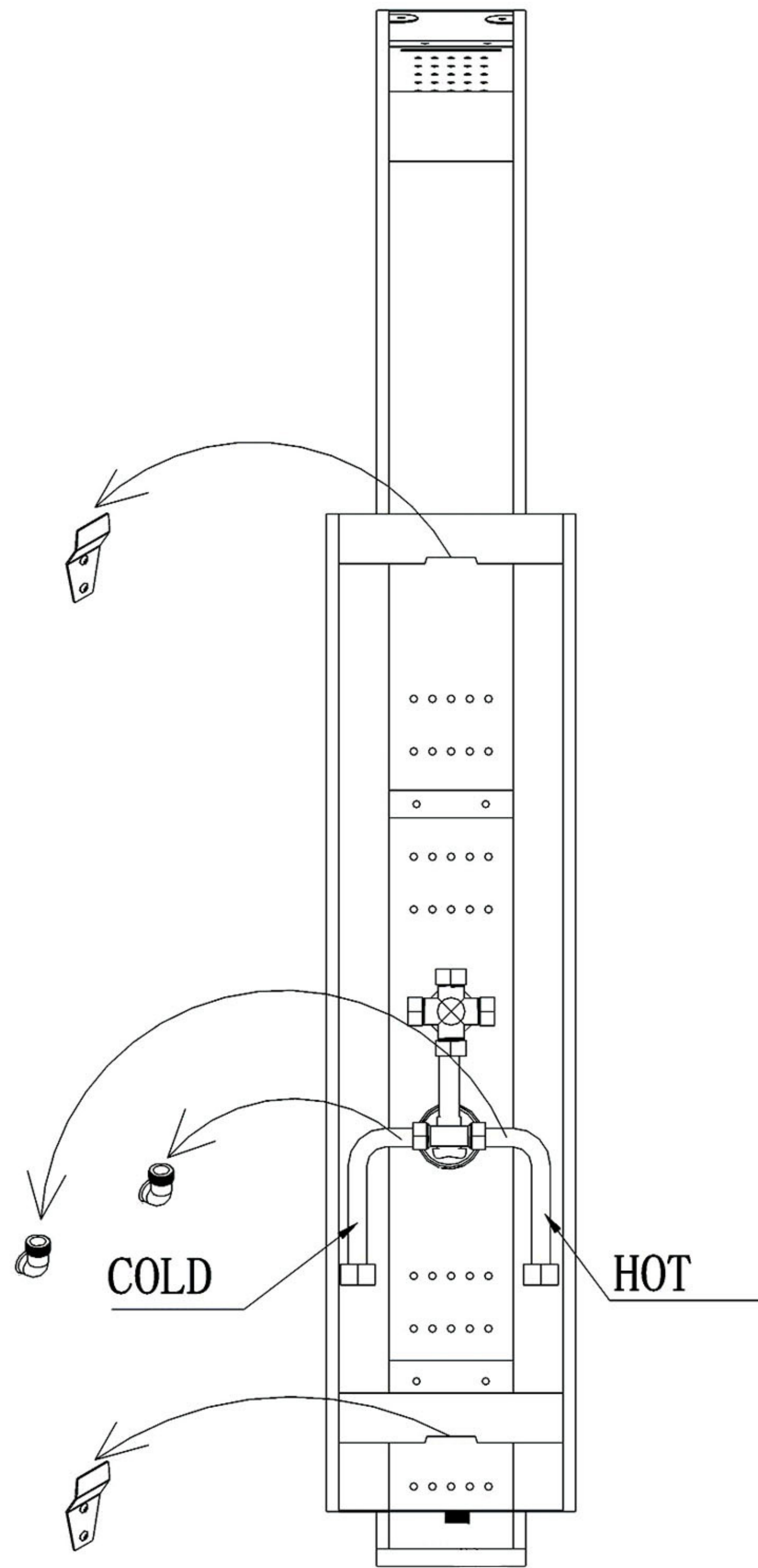
Minimum ceiling height mm. 2200





Maintenance

If the power of the jets lose strength overtime, disassemble and clean the filters.



Raindance

